

PHYSICAL CHARACTERISTICS :

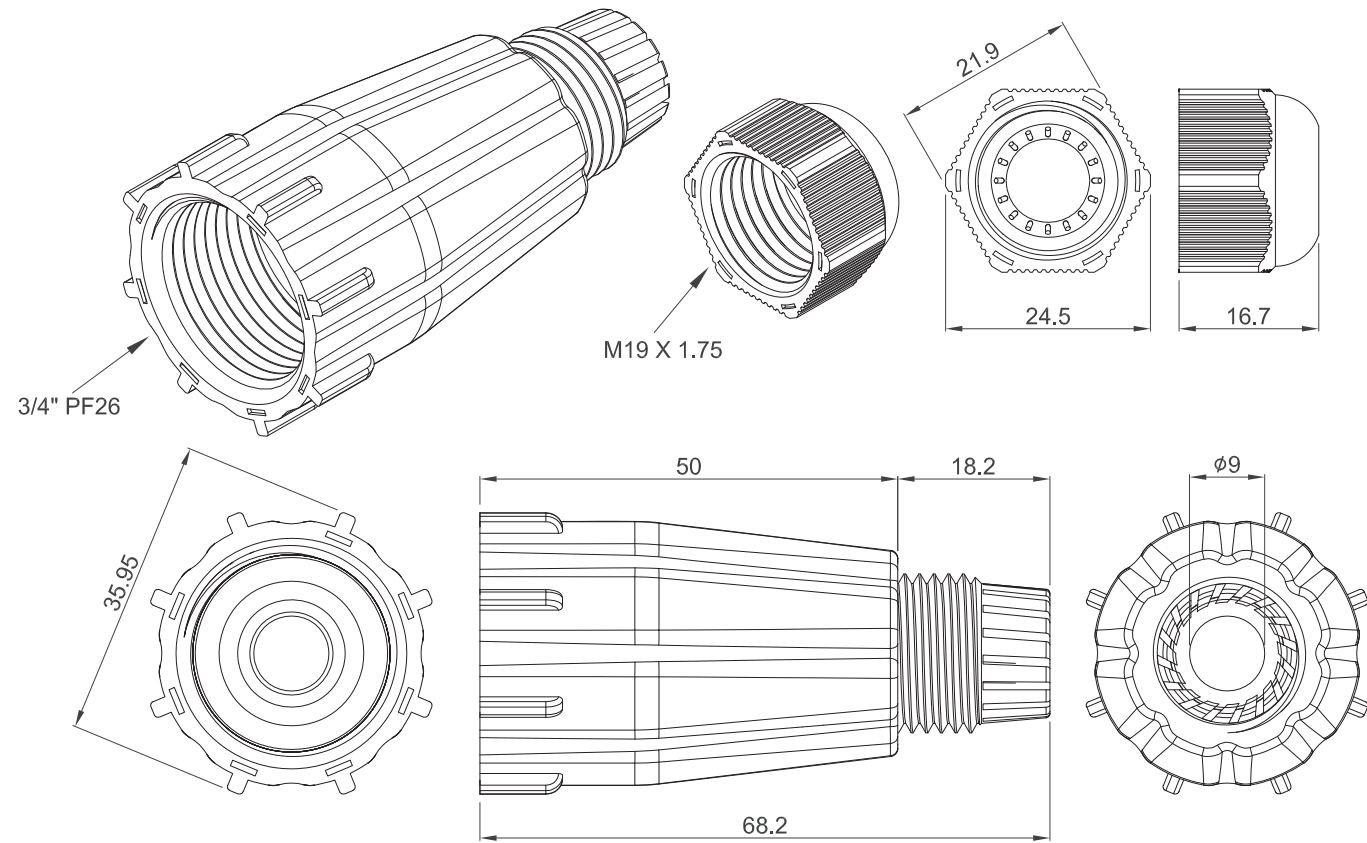
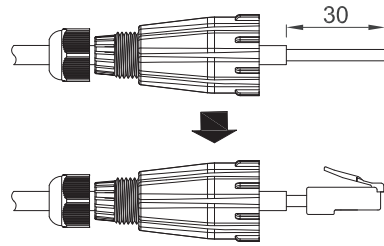
*Operating temperature : -10°C~+60°C

*Storage temperature:-40°C~+68°C

Illustration :

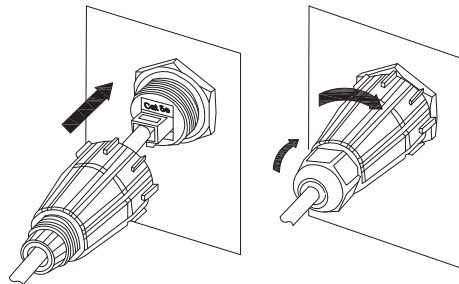
Step 1 :

Strip the cable jacket around 30mm, spread each pair and crimp the modular plug.



Step 2 :

Plug in the modular plug with socket, turn tight the boot then completed the mating.



MATERIAL

- MAIN BODY Nylon PA-66 UL94V-0, 25% Glass Fiber Filled
- SEALING NUT Nylon PA-66 UL94V-0, 25% Glass Fiber Filled
- BACK GASKET Rubber